

Peerless® Boilers

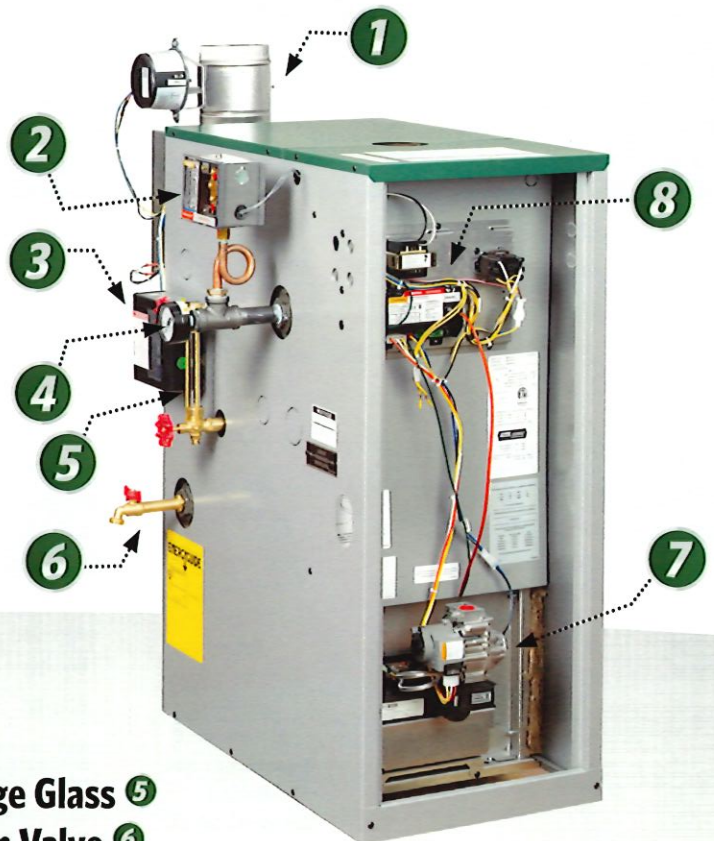


Series 63-x™ Residential Gas Boilers

PeerlessBoilers.com

Series 63-x™ Boiler Features

- ✓ Packaged Steam Boilers for Natural Gas Systems
- ✓ Cast Iron Sections
Factory Tested & Assembled
- ✓ Natural Draft Chimney Venting
- ✓ Spark Ignition
- ✓ Skim Tapping for Cleaning Steam Boilers
- ✓ Steel Push Nipples
- ✓ Near Boiler Piping Kits Available



Standard Equipment

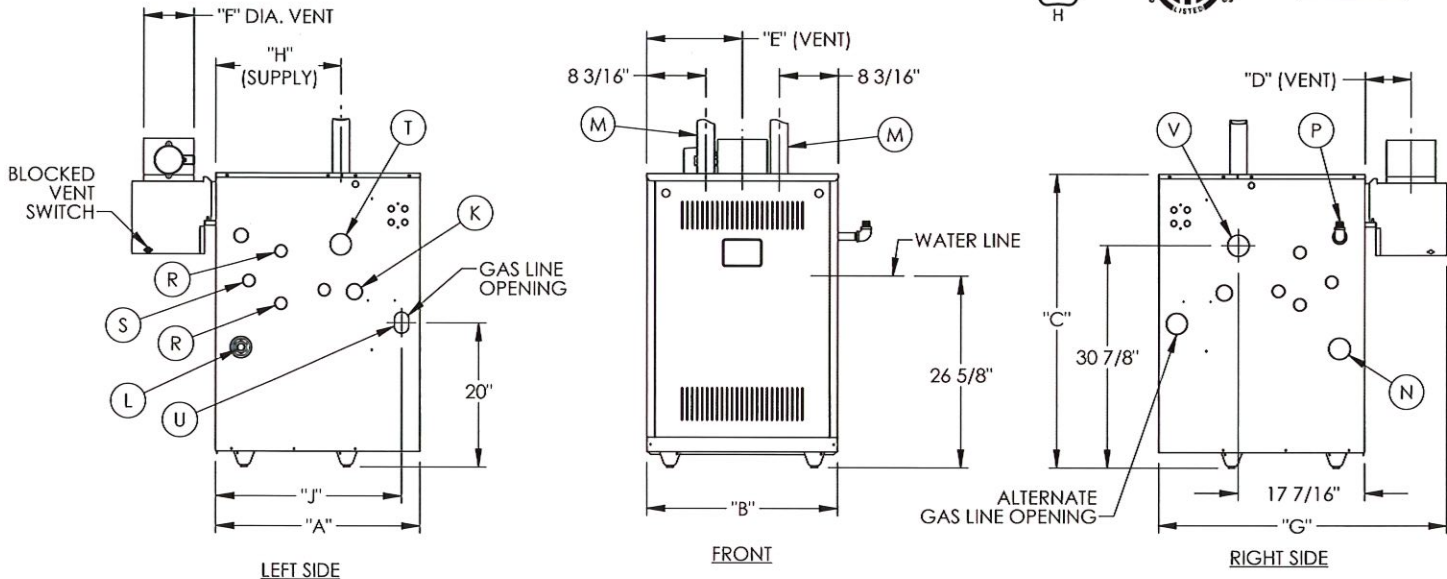
- ✓ Automatic Vent Damper ①
- ✓ Pressure Control ②
- ✓ Probe LWCO, CG400 (24V) ③
- ✓ Temperature-Pressure Gauge ④
- ✓ Gauge Glass ⑤
- ✓ Drain Valve ⑥
- ✓ Step-opening Redundant Gas Valve ⑦
- ✓ Spark Ignition Module ⑧

PeerlessBoilers.com

LIMITED LIFETIME WARRANTY

All residential cast iron boilers include a full one-year warranty. A limited, lifetime warranty is provided for the cast iron sections of Peerless® residential hot water boilers. A limited, ten-year warranty is provided on the cast iron sections of residential steam boilers. Visit PeerlessBoilers.com for complete details.

Technical Information



SERIES 63-x™ BOILER DIMENSIONS

* OVERALL DEPTH DIMENSION INCLUDES BOTH THE JACKET AND DRAFT HOOD.

Boiler Model Number	Jacket			Rear of Jacket to C/L of Vent "D"	Left of Jacket to C/L of Vent "E"	Vent Size Diameter "F"	*Overall Depth "G"	Rear of Jacket to C/L of Supply "H"	Rear of Jacket to C/L of Gas Line Opening "J"									
	Depth "A"	Width "B"	Height "C"															
	inch	mm	inch	mm	inch	mm	inch	mm	inch	mm								
63-x-03	28-1/2"	724	16-5/16"	414	40-3/4"	1035	6-3/8"	162	8-1/2"	216	5"	127	40"	1016	17-1/2"	445	26"	660
63-x-04	28-1/2"	724	21-3/8"	543	40-3/4"	1035	6-3/8"	162	11"	279	6"	152	40"	1016	17-1/2"	445	26"	660
63-x-05	28-1/2"	724	26-7/16"	672	40-3/4"	1035	6-3/8"	162	13-1/2"	343	7"	178	40"	1016	17-1/2"	445	26"	660
63-x-06	28-1/2"	724	31-1/2"	800	40-3/4"	1035	6-3/8"	162	16"	406	8"	203	40"	1016	17-1/2"	445	26"	660

TAPPING LOCATIONS

TAP ID	Size NPT				DESCRIPTION
	03	04	05	06	
K	1-1/4"	1-1/4"	1-1/4"	1-1/4"	IWH Connection
L	3/4"	3/4"	3/4"	3/4"	Drain Valve
M	2"	2"	2"	2"	Supply
N	2"	2"	2"	2"	Return
P	3/4"	3/4"	3/4"	3/4"	Safety Relief Valve
R	1/2"	1/2"	1/2"	1/2"	Gauge Glass
S	3/4"	3/4"	3/4"	3/4"	Probe Type LWCO
T	2"	2"	2"	2"	Pressure Limit Control
U	1/2"	1/2"	3/4"	3/4"	Gas Line
V	2"	2"	2"	2"	Skimming Connection

Series 63-x™ BOILER RATINGS



Boiler Model	Input MBH	Heating Capacity ² Steam, MBH	Net Ratings ¹		AFUE ² , %	Water Content Steam, gal	Approx. Shipping Weight, lb
			Steam, sqft	Steam, MBH			
63-x-03	100	82	258	62	82	7	480
63-x-04	150	124	388	93	82	9	595
63-x-05	200	165	517	124	82	11	725
63-x-06	250	206	646	155	82	13	840

¹ Net Ratings are based on DOE Heating Capacity or Gross Output less an allowance for normal piping and pickup as determined by AHRI requirements. Water ratings are based on a piping and pickup factor of 1.15. Steam ratings are based on a piping and pickup factor of 1.33. Consult us before selecting a boiler for gravity hot water installations or for installations having unusual piping and pickup requirements such as exposed piping, night set-back, etc. Ratings shown are for elevations up to 2,000 feet. For elevations above 2,000 feet, ratings should be reduced at the rate of 4% for each 1,000 feet above sea level.

² Heating Capacity and Annual Fuel Utilization Efficiency (AFUE) ratings are based on U.S. Government tests. Before purchasing this appliance, read important information about its estimated annual energy consumption or energy efficiency rating that is available from your retailer.

³AHRI Directory indicates inputs to nearest whole number.



PeerlessBoilers.com

CUT-63x RO (4/25 - IM)

Printed in U.S.A.

© 2025 PB Heat LLC. All rights reserved.